

# Galaxy Z Flip4

SCG17

## Quick Start Guide

### "オンラインマニュアル (Online Manual)" (Japanese)

For detailed descriptions on various functions, scan the QR code on the right or use the "オンラインマニュアル (Online Manual)" (Japanese) on your product with the following operations.



On the home screen, flick up → [Galaxy]  
→ [取扱説明書 (Online Manual)]

やめましょう、  
歩きスマホ。



キケン!  
水ぬれ充電



Cell phone and PHS operators collect and recycle unused telephones, batteries and battery chargers at stores bearing the ♻️ logo regardless of brand and manufacturer to protect the environment and reuse valuable resources.

© 2022 Samsung Electronics Co., Ltd. All rights reserved.

September 2022, 1st Edition

Imported by: SAMSUNG ELECTRONICS JAPAN Co., Ltd.

Manufactured by: Samsung Electronics Co., Ltd.

## List of Packaged Items

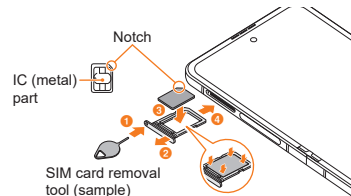
- Main unit
- SIM card removal tool (sample)
- USB cable (CtoC) (sample)
- クイックスタートガイド (Quick Start Guide) (Japanese)
- ご利用にあたっての注意事項 (Notes on Usage) (Japanese)
- データ移行用試供品取扱説明書 (Sample for data transfer Manual) (Japanese)

### memo

- Please use specified charging equipment (sold separately).
- The battery is built into the product.
- Illustrations used in this manual are just images for explanations. They may be different from the actual ones.
- Do not fold the product in the reverse direction. That may cause the product to get damaged.
- When folding the product, do not insert foreign objects such as cards, coins, or keys, on the main display. The display may be damaged.
- Do not remove the protective film attached to the main display to prevent screen damage. If it is peeled off, it may be a paid repair when re-applying it. Also, do not attach any other films or stickers. Attaching them may damage the screen.
- The product is not dustproof. Do not allow sand or other fine particles to enter the product.

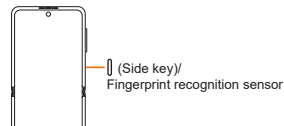
- For the latest information, please refer to the "取扱説明書 詳細版 (Full Instruction Manual)" (Japanese), available on the website of the contracted carrier.
- For the latest information on the product, refer to the following website.  
<https://www.galaxymobile.jp/> (Japanese)
- The contents described in this manual may be different due to the version upgrade of the software of this product or the change / end of service. And the contents of this manual are subject to change without notice.
- Reproduction of the content of this manual in part or in whole is prohibited.
- Every effort has been made in the preparation of this manual. Should you notice any unclear points, omissions, etc., feel free to contact us.

## Attaching the SIM Card

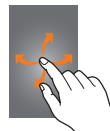


## Turning the Power On

- 1 Press and hold [ ] (Side key)/Fingerprint recognition sensor for over 2 seconds



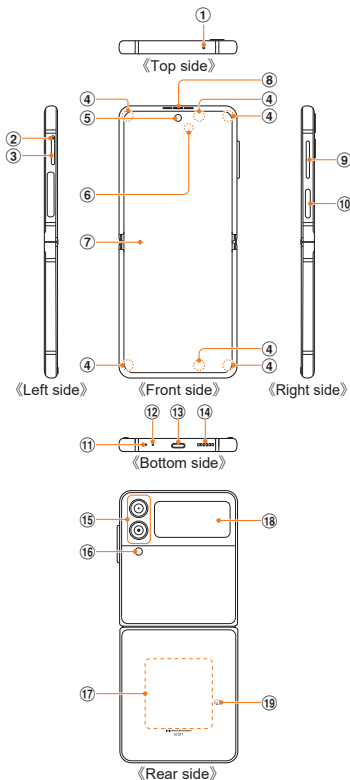
- 2 Swipe the screen up and down, left and right to unlock the screen




### memo

- Press and hold [ ] (Side key)/Fingerprint recognition sensor and lower side of Volume key simultaneously for over 7 seconds, when the power cannot be turned off in the usual way or the screen freezes.

## Names of Parts



- ① Mouthpiece/Microphone (upper)<sup>\*1</sup>
- ② Tray eject hole
- ③ SIM card tray
- ④ Magnet part<sup>\*2,3</sup>
- ⑤ Front camera<sup>\*4</sup>
- ⑥ Proximity/Light sensor<sup>\*5</sup>
- ⑦ Main display (touch panel)<sup>\*4,6,7,8</sup>
- ⑧ Receiver/Speaker<sup>\*1,9</sup>
- ⑨ Volume key
- ⑩ ||(Side key)/Fingerprint recognition sensor
- ⑪ Vent hole<sup>\*1</sup>
- ⑫ Mouthpiece/Microphone (lower)<sup>\*1</sup>
- ⑬ USB Type-C<sup>®</sup> connection terminal (external connection terminal)
- ⑭ Speaker<sup>\*1</sup>
- ⑮ Rear camera<sup>\*4</sup>
- ⑯ Flash/Light
- ⑰ Wireless charging position
- ⑱ Cover display (touch panel)<sup>\*4</sup>
- ⑲  mark

- \*1 Be careful to not cover over with your fingers, etc. Related functions may not work properly. In addition, do not insert the SIM card removal tool (sample) into the product since this might cause damage.
- \*2 The product contains magnets, which may affect medical devices, such as pacemakers or implantable cardioverter defibrillators. If you are using any of these medical devices, keep the product more than 15cm from them when carry or use this product. And be especially careful not to put it in your jacket pocket. If you suspect any interference with your medical device, stop using the product and consult your physician or your medical device manufacturer.
- \*3 Keep this product away from objects that may be affected by magnetism. Objects such as credit cards, passbooks, access cards, boarding passes, or parking passes may be damaged or disabled by the magnets in the product.
- \*4 Do not push or forcefully press this product such as a pen or your fingernail. Doing so could result in scratching or puncturing them.
- \*5 Do not cover the product with stickers or other materials. Functions may not work correctly.
- \*6 A protective film is already attached.
- \*7 There is a crease in the center, which is the normal condition for this product.
- \*8 Do not attach any sticky material such as film or stickers to the main display.
- \*9 The product uses it for both a receiver and a speaker.



◎ The antenna is built into the main unit. For the antenna position, please refer to the "取扱説明書 詳細版 (Full Instruction Manual)" (Japanese)