

Galaxy Z Fold2 5G

SCG05

Quick Start Guide

"オンラインマニュアル (Online Manual)" (Japanese)

For detailed descriptions on various functions, scan the QR code on the right side or use the "オンラインマニュアル (Online Manual)" (Japanese) on your product with the following operations.

On the home screen, flick up or flick down → [Galaxy] → [取扱説明書 (Online Manual)]



For inquiries, call: Customer Center

For general information (toll free)

Business hours 9:00–20:00 (7 days a week)

From au cell phones: From non-au cell phones /
general subscriber phones:

157 without area code ☎ 0077-7-111

In case above numbers are not available,
call toll-free:

☎ 0120-977-033 (except Okinawa)

☎ 0120-977-699 (Okinawa)

For theft, loss, damage (toll free)

Business hours 24 hours (7 days a week)

From au cell phones: From non-au cell phones /
general subscriber phones:

113 without area code ☎ 0077-7-113

In case above numbers are not available,
call toll-free:

☎ 0120-925-314

Repair and Delivery Support Center

For theft, loss, damage (toll free)

Business hours 9:00–20:00 (7 days a week)

From au cell phones / non-au cell phones /
general subscriber phones:

☎ 0120-925-919



モバイル/パソコン/タブレット/スマートフォン
携帯電話、PHSのラジウム6に由来する

Cell phone and PHS operators collect and recycle unused telephones, batteries and battery chargers at stores bearing the ♻️ logo regardless of brand and manufacturer to protect the environment and reuse valuable resources.

December 2020, 1st Edition

Sold by:
KDDI CORPORATION,
OKINAWA CELLULAR TELEPHONE COMPANY

Imported by: SAMSUNG ELECTRONICS JAPAN Co., Ltd.

Manufactured by: Samsung Electronics Co., Ltd.

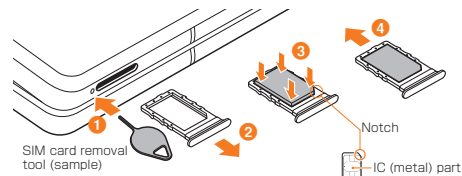
List of Packaged Items

- Main unit (protective film (sample) attached)
- SIM card removal tool (sample)
- AKG Tuning High-quality Earphone with Microphone (USB Type-C™) (sample)
- USB cable (CtoC) (sample)
- クイックスタートガイド (Quick Start Guide) (Japanese)
- ご利用にあたっての注意事項 (Notes on Usage)(Japanese)
- データ移行用試供品取扱説明書 (Sample for data transfer Manual) (Japanese)

memo

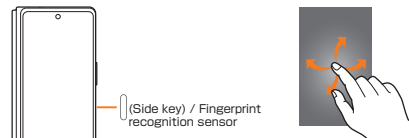
- Please use a specified charging equipment (sold separately).
- The battery is built into the product.
- Illustrations used in this manual are just images for explanations. They may be different from actual ones.
- Do not close the product in the reverse direction. That may cause the product to get damaged.
- If it is left open, the main display may get scratched or damaged. The main display may get damaged.
- The device is not waterproof nor dustproof. Do not wet with water, nor put fine particles such as sand into the device.

Attaching au IC Card (SIM Card)



Turning the Power On

- 1 Press and hold over 2 seconds
- 2 Unlock the screen

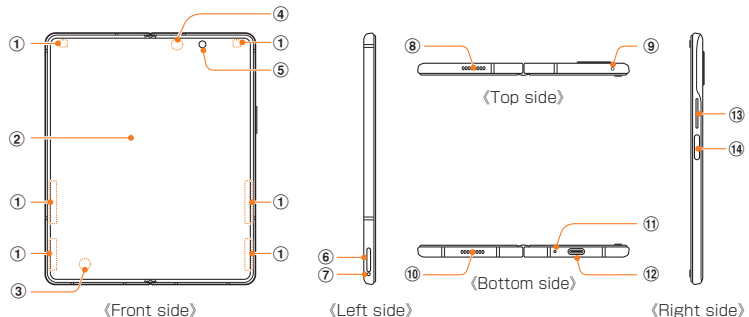


memo

- Press and hold [(Side key)/Fingerprint recognition sensor and lower side of Volume key simultaneously for over 7 seconds, when the power cannot be turned off in the usual way or the screen freezes.

Names of Parts

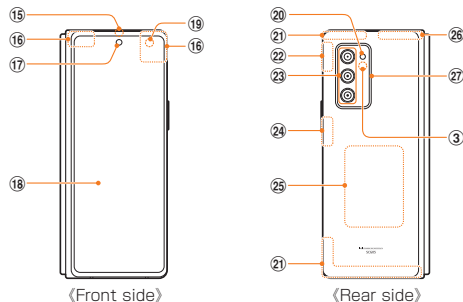
Opened



- ① Magnet part^{*1*2}
- ② Main display (Touch panel)^{*3*4*5*6}
- ③ Light sensor^{*7}
- ④ Magnetic sensor/Light sensor^{*7}
- ⑤ Front camera^{*6}
- ⑥ au IC card card tray
- ⑦ Tray eject hole
- ⑧ Speaker (upper)^{*8*9}
- ⑨ Mouthpiece/Microphone (upper)^{*8}
- ⑩ Speaker (lower)^{*8}
- ⑪ Mouthpiece/Microphone (lower)^{*8}
- ⑫ USB Type-C connection terminal (external connection terminal)
- ⑬ Volume key
- ⑭ ⏏ (Side key)/Fingerprint recognition sensor

- ⑮ Receiver^{*9}
- ⑯ Wi-Fi®/Bluetooth® antenna part^{*10}
- ⑰ Cover camera^{*6}
- ⑱ Cover display (Cover screen) (Touch panel)
- ⑲ Proximity/Light sensor^{*7}
- ⑳ Flash/Light
- ㉑ 5G/4G antenna part^{*10}
- ㉒ 5G/GPS antenna part^{*10}
- ㉓ Rear camera^{*6}
- ㉔ 5G antenna part^{*10}
- ㉕ Transmitting and receiving positions for NFC functions/Wireless charging position
- ㉖ 5G/4G/GPS antenna part^{*10}
- ㉗ Microphone (rear)^{*8}

Closed



- *1 Your device contains magnets, which may affect medical devices, such as pacemakers or implantable cardioverter defibrillators. If you are using any of these medical devices, keep your device a safe distance from them and consult with your physician before you use the device.
- *2 Keep a safe distance between your device and objects that are affected by magnets. Objects such as credit cards, passbooks, access cards, boarding passes, or parking passes may be damaged or disabled by the magnets in the device.
- *3 A protective film (sample) is already attached to the display.
- *4 The product's main display has a crease in the center of it, but this is the product's normal state.
- *5 Do not attach adhesives, such as films or stickers, to the main display.
- *6 Do not press the main display, the cover display, the front camera lens, the cover camera lens or the rear camera lens with a hard or sharp object, such as a pen or your fingernail. Doing so could result in scratching or puncturing them.
- *7 Do not cover with the sticker, etc.,. Functions may not work correctly.
- *8 Be careful to not cover over with your fingers, etc., while relevant functions are being used. In addition, do not insert the SIM card removal tool (sample) into the product since this might cause damage.
- *9 The receiver and the speaker (upper) on the product are close to each other. The volume will incrementally rise to the set volume so that loud sounds do not come out of the speaker in your ears after the speakerphone is switched to during calls, or after calls are finished.
- *10 The antenna is built into the product. Covering around the antenna by hand may affect calling quality/communication quality.

• For the latest information, please refer to the latest "オンラインマニュアル (Online Manual)" (Japanese) or the "取扱説明書 詳細版 (Full Instruction Manual)" (Japanese), available on the au website. <https://www.au.com/support/service/mobile/guide/manual/> (Japanese)

• For the latest information of the product, refer to the following website. <https://www.galaxymobile.jp/> (Japanese)

• The contents described in this manual may be different due to the version upgrade of the software of this product or the change/end of service. And the content of this manual is subject to change without notice.