



DIGNO[®] Tab

Quick Start Guide



Using the "Online Manual" (Japanese)

For detailed descriptions on various functions, refer to the "Online Manual" (Japanese) either from the scannable QR code below or on the product as follows:

Home screen → [ツール(tools)] → [取扱説明書(Online Manual)]



You can also check the "Online Manual" (Japanese) on the au homepage.
<https://www.au.com/online-manual/kyt34/> (Japanese)

List of Packaged Items

Before your start using the product, make sure that you have all the following packaged with the product.

- Main unit
- Tablet Stand (Sample)
- クイックスタートガイド (Quick Start Guide)(Japanese)
- ご利用にあたっての注意事項 (Notes on Usage)(Japanese)

The following items are not included in the package.

- AC adapter
- USB Type-C™ cable
- microSD memory card
- Earphones



- Purchase a specified charger (sold separately).
- The battery is built into the product.
- The illustrations in this manual are only for reference. They may look different from the actual product.

- Descriptions in this manual are based on Android™ 10.
- For the latest edition, refer to the "Online Manual" (Japanese) or "取扱説明書(詳細版) (Full instruction manual)" (Japanese) available on the au homepage.
<https://www.au.com/support/service/mobile/guide/manual/> (Japanese)



For inquiries, call:

Customer Center

For general information (toll free)

Business hours 9:00 to 20:00 (7 days a week)

From au mobile phones: | From non-au mobile phones / general subscriber phones:

157 area code not required | ☎ 0077-7-111

In case above numbers are not available (for free),

☎ 0120-977-033 (except Okinawa)

☎ 0120-977-699 (Okinawa)

For theft, loss, or malfunction (toll free)

Business hours 24-hour (7 days a week)

From au mobile phones: | From non-au mobile phones / general subscriber phones:

113 area code not required | ☎ 0077-7-113

In case above numbers are not available (for free),

☎ 0120-925-314

Corporate Customer Center

(For corporate contractors)

For general information (toll free)

Business hours 9:00 to 18:00 (7 days a week)

*Except during the year change period

From au mobile phones: | From non-au mobile phones / general subscriber phones:

☎ 0077-7041 | ☎ 0120-925-041

Repair and Delivery Support Center

(For theft, loss, or malfunction (toll free)

Business hours 9:00 to 20:00 (7 days a week)

From au mobile phones / non-au mobile phones / general subscriber phones:

☎ 0120-925-919



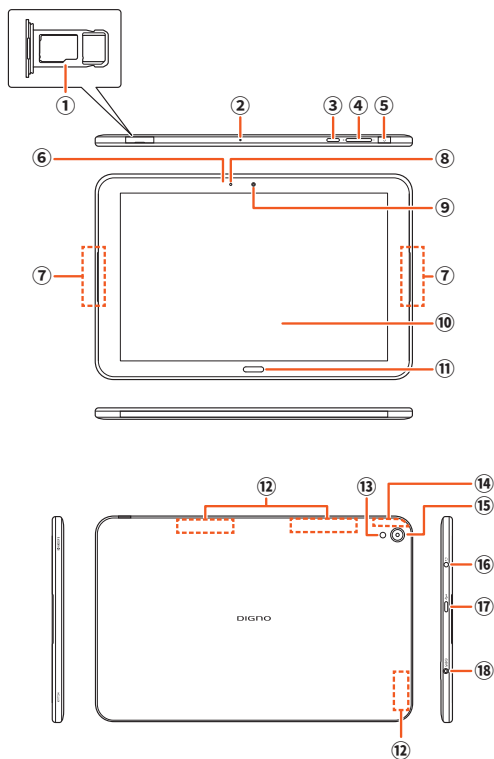
携帯電話、PHSのシールドに協力

Cell phone and PHS operators collect and recycle unused telephones, batteries and battery chargers at stores bearing the ♻️ logo regardless of brand and manufacturer to protect the environment and reuse valuable resources.

February 2021, 1st Edition


Sales: KDDI CORPORATION-OKINAWA CELLULAR TELEPHONE COMPANY
Manufactured by: KYOCERA Corporation

Names and Functions of Parts






■ How to open the au IC card/microSD memory card tray



Insert a fingernail a small way into one of the corners marked  and pull open the cover.

Be careful not to insert your fingernail all the way. Doing so may damage the rubber seal under the cover.

- ① au IC card/microSD memory card tray^{*1}
 - ② Microphone
 - ③  Customize button
 - ④  Volume up / down button
Adjusts sound volume.
 - ⑤  Power button
Power ON/OFF, activate/deactivate sleep mode, etc.
 - ⑥ Light sensor^{*2}
Detects the ambient light level to adjust the display brightness.
 - ⑦ Front stereo speaker
Outputs notification sounds, alarms, etc.
 - ⑧ Notification (charging) light
Lights in red, yellow or green while charging.
Flashes according to the "Apps & notifications" setting.
 - ⑨ In camera (lens)
 - ⑩ Display (touch panel)
 - ⑪ Fingerprint sensor
 - ⑫ 4G antenna^{*3}
 - ⑬ Shooting / simple light
 - ⑭ Bluetooth® / GPS / Wi-Fi® antenna^{*3}
 - ⑮ Out camera (lens)
 - ⑯ Earphone microphone terminal
Used for connecting earphones (commercially available) or other accessories.
 - ⑰ External connection terminal
Use for connecting Type C Common AC Adapter O2 (sold separately), etc.
 - ⑱ Charging terminal
- ^{*1} For handling the au IC card, refer to the "Online Manual" (Japanese) or the "取扱説明書(詳細版)" (Full instruction manual) (Japanese) available on the au homepage.
^{*2} Note: covering the sensor with a sticker or your fingers will prevent it from functioning.
^{*3} The antenna is built into the product. Covering the antenna with your hand might affect communication quality.

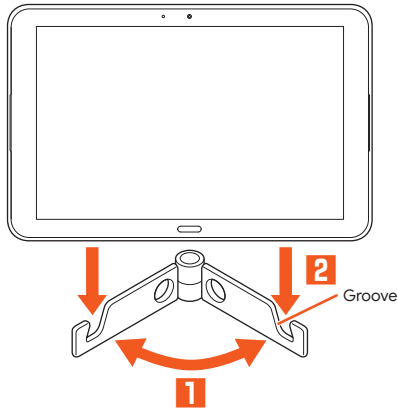


- The battery is built into the product and it is not removable. To force stop and reboot the product, refer to "Forcing the Product to Shut Down and Restart" (▶ P.3).

Using Tablet Stand (Sample)

The main unit can be placed in the tablet stand (sample) and used on a desk.

- 1 Open the tablet stand (sample)
- 2 Set the main unit into the grooves in the tablet stand (sample)



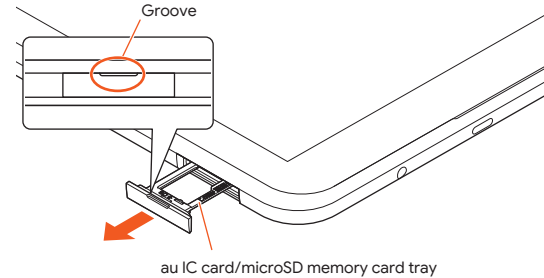
memo

- The main unit cannot be used with any cover attached. When using the main unit, take off any cover.
- Placing the main unit upright or with the tablet stand (sample) opened only at a narrow angle can allow the tablet stand (sample) or main unit to tip over. Use with caution.
- When placing the main unit in the tablet stand (sample), place so that they are centered to each other.

Attaching the au IC Card (SIM Card)

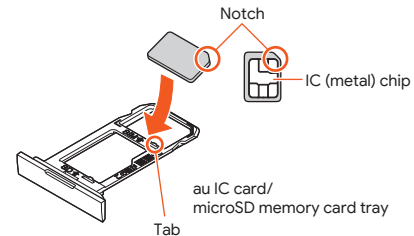
• Attach the au IC card after turning off the product.

- 1 With your fingertip on the groove in the au IC card/microSD memory card tray, pull it out without bending



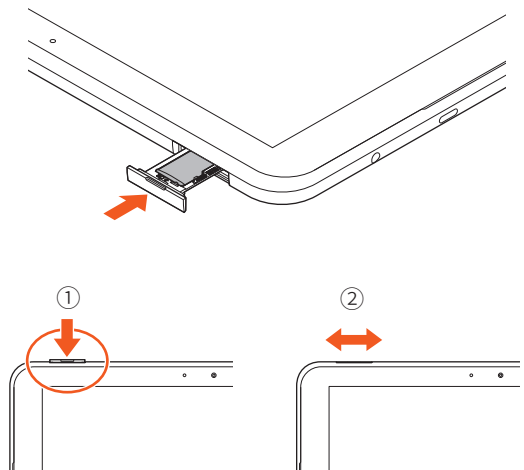
- 2 Hold the au IC card with its IC (metal) chip downward and insert in au IC card/microSD memory card tray

- Note location of notch.
- To avoid breaking the tab on the au IC card/microSD memory card tray, slide the au IC card in the direction shown to attach.
- Insert the au IC card in the au IC card/microSD memory card tray completely.



3 Insert the au IC card/microSD memory card tray in the product, and push in all the way level with the ground and without bending.

After inserting the tray, ① press all of the tray with the flat part of your finger. ② Rub your finger over the tray in the direction of the arrow to ensure that the tray is not partially open.



Turning the Power On/Off

Turning the Power On

1 Press and hold (Power button) until the display turns on

The start screen appears.

- The first time you turn on the product, initial settings activate. Follow the on-screen instructions to make initial settings.



memo

- Ⓞ While logos are being displayed on the screen, do not touch the screen because the product is initializing the touch panel settings. Doing so may prevent the touch panel from working properly.

Turning the Power Off

1 Press and hold (Power button) for at least 1 second

2 [Power off]

Forcing the Product to Shut Down and Restart

You can force the product to power off and reboot when the screen does not respond, or the power cannot be turned off.

1 Press and hold (Power button) and (Volume up key) for at least 11 seconds



memo

- Ⓞ If you turn off the product forcibly and restart it, any unsaved data will be lost. Do not perform except when the product does not respond.

Switching to English Display

Switch the language displayed on the screen to English.

1 Home screen → [] → [システム(System)] → [言語と入力 (Languages & input)] → [言語 (Languages)]

2 [English]

The message "起動中のアプリ、メール送受信、ダウンロードなどが終了される場合があります。" (Applications, mail transmission/reception, and downloads may be terminated.) appears, confirm the content and then tap [OK].