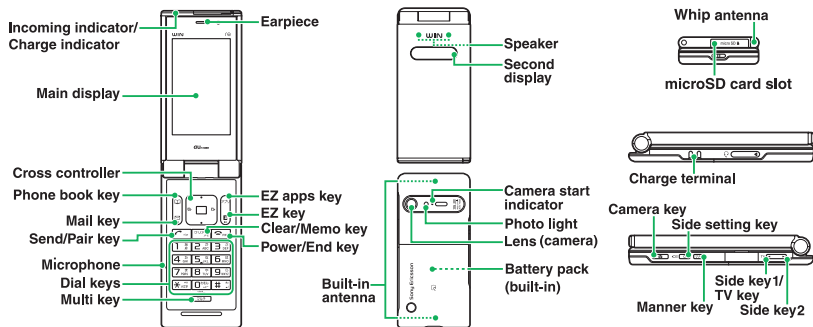


# re English Simple Manual (簡易英語版)



## Turning the “re” On and Off

- Turning the “re” On  
Hold down for at least one second.
- Turning the “re” Off  
Hold down for at least two seconds.

## Checking Your Own Phone Number and E-mail Address

From the idle display: press ▶ press .

## Making/Receiving a Call

- Making a Call  
From the idle display: press to to input the other party’s phone number  
▶ press .
- To end the call: press .
- Receiving a Call  
Press while the phone is ringing.  
To adjust the earpiece volume during a call: press .

## Saving New Data in the Phone Book/Retrieving Data in the Phone Book

- Saving New Data  
From the idle display: hold down for at least one second ▶ input the information ▶ press [登録] (save).
- Retrieving Data  
From the idle display: press to display the phone book list ▶ press to switch from the “ア” to “英” display lines ▶ press to select the address ▶ press [詳細] (detail) to display the information saved for the address you selected.

## Initial Settings for E-mail and EZweb

Be sure to do initial settings before using the e-mail and EZweb services. Initial settings automatically determine your e-mail address, allowing you to send and receive e-mails as well as access the Internet.

From the idle display: press ▶ press [OK] ▶ press [OK].

## Using E-mail and C-mail

- Using E-mail  
You need to subscribe to the EZweb service to use the e-mail service. Contact an au shop or an au Customer Service Center if you did not subscribe to the service at the time of purchase. Be sure to do initial settings before using the e-mail and EZweb services (See “Initial Settings for E-mail and EZweb” on page 86).

- Creating and Sending E-mail

**From the idle display:** press press to select 「新規作成」 (Create new) ▶ press [選択] (select) ▶ press to select 「宛先」 (E-mail address) ▶ press [選択] (select) ▶ press [選択] (select) ▶ press to select 「アドレス帳呼出」 (Use Phone book) ▶ press [選択] (select) ▶ press to select the entry ▶ press [詳細] (detail) ▶ press to select e-mail address ▶ press [選択] (select) ▶ press [確定] (ok) ▶ press to select “件名” (Subject) ▶ press [選択] (select) ▶ input the subject ▶ press [確定] (ok) ▶ press to select “本文” (Text) ▶ Press [選択] (select) ▶ input the main text ▶ press [確定] (ok) ▶ press [送信] (send).

- Opening a Received E-mail

When you receive an e-mail, 「EメールX件」 (X E-mails, X: number of received mails) is displayed in the idle display.

Press [選択] (select) ▶ press to select the folder containing new mail ▶ press [選択] (select) ▶ press to select the new mail ▶ press [選択] (select).

- Using C-mail

C-mail is a service that allows you to exchange mail with other au cellphones that support C-mail using cellphone numbers. You can send mail comprising up to 50 double byte characters by C-mail.

- Creating and Sending C-mail

**From the idle display:** hold down for at least one second ▶ press to select 「新規作成」 (Create new) ▶ press [選択] (select) ▶ input the main text ▶ press [確定] (ok) ▶ press to select 「宛先」 (Address) ▶ press [編集] (edit) ▶ press to select 「アドレス帳引用」 (Use Phone book) ▶ press [OK] ▶ press to select the entry ▶ press [詳細] (detail) ▶ press to select the phone number ▶ press [選択] (select) ▶ press [送信] (send).

- Opening a Received C-mail

When you receive a C-mail, 「CメールX件」 (X C-mails, X: number of received mails) is displayed in the idle display.

Press [選択] (select) ▶ press to select the folder containing new mail ▶ press [選択] (select) ▶ press to select the new mail ▶ press [表示] (view).

## Using EZweb

EZweb is an information service that allows you to enjoy the Internet on your cellphone. You need to subscribe to the EZweb service to use the EZweb service. Contact an au shop or an au Customer Service Center if you did not subscribe to the service at the time of purchase. Be sure to do initial settings before using the e-mail and EZweb services (See “Initial Settings for E-mail and EZweb” on page 86).

**From the idle display:** press ▶ press to select “ (EZweb)” ▶ press to select 「au one トップ」 (au one Top) ▶ press [選択] (select) ▶ select the information site you want to view.

## Taking Photos

**From the idle display:** press (camera key) ▶ press (camera key) to take the photo ▶ press (camera key) to save.

## Making an International Call

Ex: To call 212-123-△△△△ in the USA

▶ ▶ ▶ ▶ ▶ ▶ △ △ △ △

▶ press .

## Other Handy Features

- Setting the Manner Mode

**From the idle display:** hold down for at least one second.

To cancel the manner mode: hold down for at least one second in the idle display.

- Setting the Record Message

**From the idle display:** hold down for at least one second.

To cancel the record message: hold down for at least one second in the idle display.